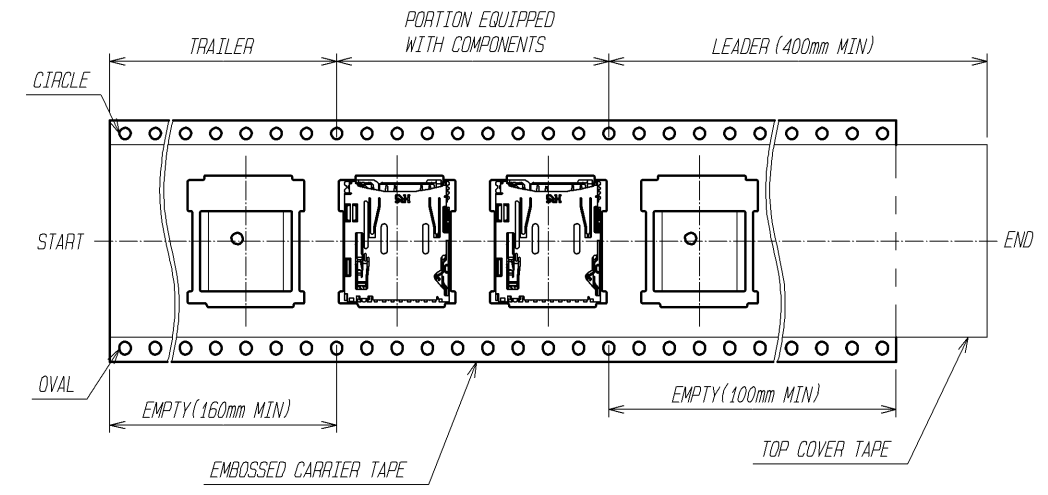
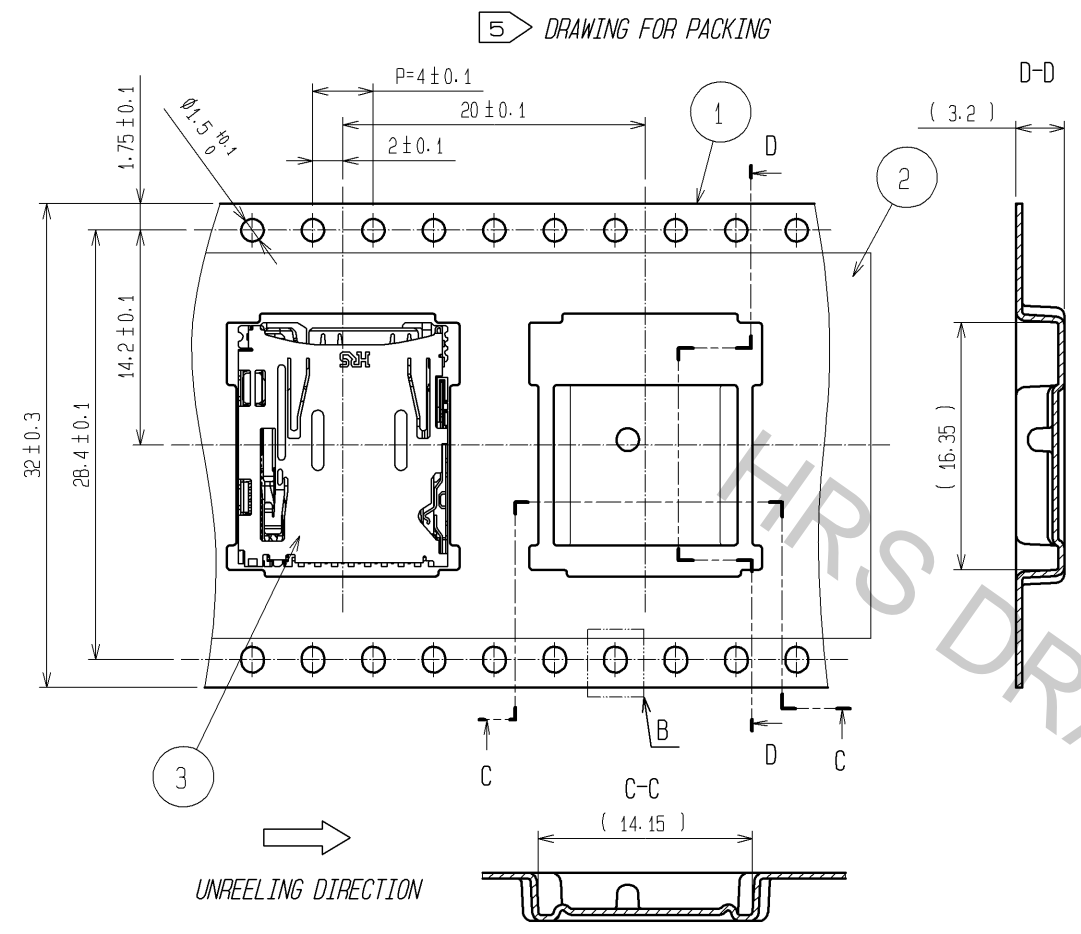


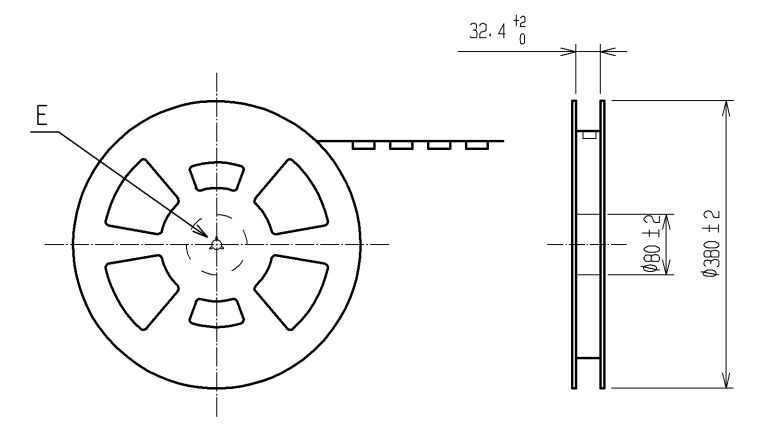
NO.	MATERIAL	FINISH	REMARKS	NO.	MATERIAL	FINISH	REMARKS
4	STAINLESS STEEL						
3	STAINLESS STEEL		MOUNTING AREA Ni0.5μm+Au0.03μm	8	STAINLESS STEEL		
2	PHOSPHOR BRONZE		CONTACT AREA Ni3μm+Au0.1μm	7	STAINLESS STEEL		
1	LCP	BLACK	UL94V-0	5, 6	PHOSPHOR BRONZE		CONTACT AREA Ni1.5μm+Au0.1μm
							MOUNTING AREA Ni1.5μm+Au0.03μm

UNITS	SCALE	COUNT	DESCRIPTION OF REVISIONS	DESIGNED	CHECKED	DATE
mm	FREE	1	DIS-F-004876	TY. EDAGAWA	NH. SUGITA	10.06.22

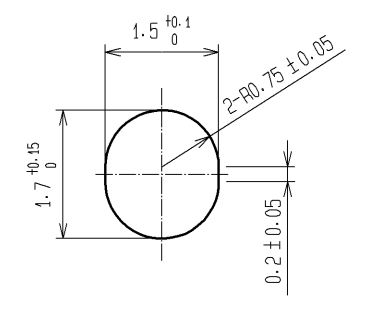
APPROVED	DATE	DRAWING NO.
KI. AKIYAMA	10.01.07	EDC3-325165-00
NH. SUGITA	10.01.07	PART NO. DM3AT-SF-PEJM5
TY. EDAGAWA	10.01.07	CODE NO. CL609-0031-0-00
TY. EDAGAWA	10.01.07	



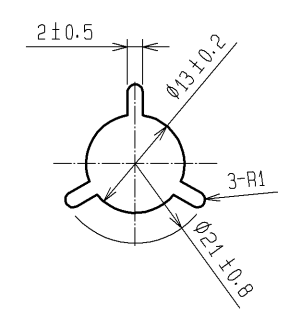
DETAIL OF REEL (1:10)



B(10:1)



E(1:1)



NOTE. 5 PACKING TYPE: TAPE AND REEL. 1500PCS PER REEL.
 6 PLEASE REFER TO TECHNICAL SPECIFICATION : ETAD-F0345
 DM3AT SERIES PRODUCT INFORMATION AND HANDLING INSTRUCTIONS
 FOR THE HANDLING OF THE PRODUCT.

NO.	MATERIAL	FINISH	REMARKS
3	(CONNECTORS)		
2	POLYESTER		
1	PS		

UNITS	SCALE	COUNT	DESCRIPTION OF REVISIONS	DESIGNED	CHECKED	DATE
mm	2:1	1	DIS-F-004876	TY. EDAGAWA	NH. SUGITA	10.06.22
APPROVED : KI. AKIYAMA			10.01.07	DRAWING NO. EDC3-325165-00		
CHECKED : NH. SUGITA			10.01.07	PART NO. DM3AT-SF-PEJM5		
DESIGNED : TY. EDAGAWA			10.01.07	CODE NO. CL609-0031-0-00		
DRAWN : TY. EDAGAWA			10.01.07	1/2		